

## Compact high-performance semiconductor Fan Heater - CS 130

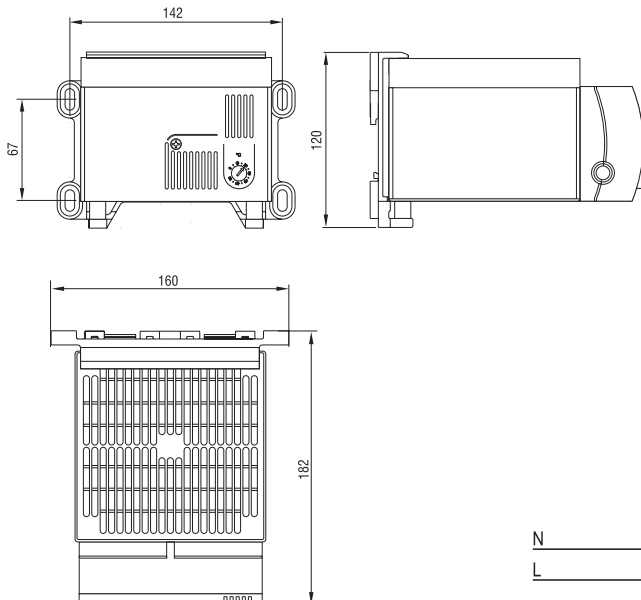
- Compact design
- High heating performance
- Double insulated
- Integrated thermostat (optional)
- Optional clip or screw fixing

The compact high performance fan heater prevents formation of condensation and provides an evenly distributed interior air temperature in enclosures with electric/electronic components. The plastic enclosure provides double insulation and acts as protection against contact. The fan heater is available with optional integrated thermostat for temperature control. The CS 130 was designed as a stationary unit for wall fixing. For fixing on the bottom of the enclosure the fan heater CS 030 is recommended.

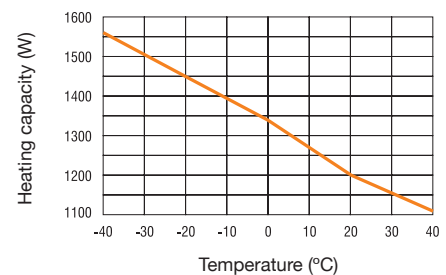


### Technical Data:

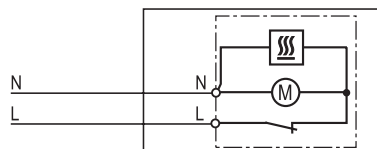
Heating element	PTC resistor - temperature limiting
Temp. safety cut-out	to protect against overheating in case of fan failure
Axial fan, ball bearing	Airflow 160m <sup>3</sup> /h, free flow service life 50,000h at 25°C
Connection	2-pole max. 2.5mm <sup>2</sup> , clamping screw with strain relief, torque 0.8Nm max.
Casing	Plastic according to UL94 V-0, black
Mounting	Clip for 35mm DIN rail, EN 60715 or screw fixing (M6)
Fitting position	Horizontal
Dimensions	182 x 160 x 120mm
Weight	Approx. 1.3kg
Op./storage temp.	-45 to +70°C
Prot. type / Prot. class	IP20 / II (double insulated)



Heating capacity / Ambient temperature diagram CS 130



Connection diagram



Art. No.	Model	Operating voltage	Heating capacity <sup>1)</sup>	Inrush current max.	Setting range	Approvals
<b>83266</b>	Fan Heater with thermostat	230VAC, 50/60Hz	1,200W	13A	0 to +60°C	VDE + UL File No. E234324 <sup>2)</sup>
<b>83267</b>	Fan Heater without thermostat	230VAC, 50/60Hz	1,200W	13A	-	VDE + UL File No. E234324 <sup>2)</sup>
	Fan Heater with thermostat	120VAC, 50/60Hz	1,200W	16A	+32 to +140°F	UL File No. E234324 <sup>2)</sup>
	Fan Heater without thermostat	120VAC, 50/60Hz	1,200W	16A	-	UL File No. E234324 <sup>2)</sup>

<sup>1)</sup>at 20°C ambient temperature; <sup>2)</sup>according to UL499 in combination with UL508A