

Heater - HG 140 Series

- Pressure clamp connectors
- Dynamic heating up
- Wide voltage range
- Temperature limiting
- Energy saving
- Clip fixing
- Quick installation

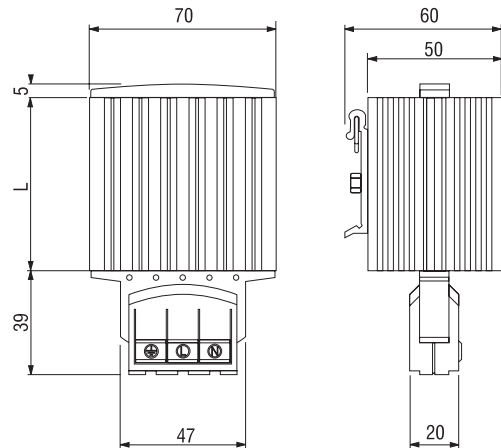
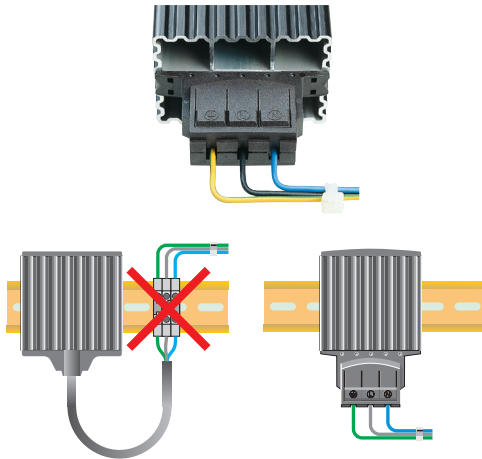
These heaters are used in enclosures where damage from condensation must be prevented, or where the temperature may not fall below a minimum value. The aluminium profile heater body design has a chimney effect and distributes the heat evenly. The pressure clamp connectors save time and simplify installation.



Technical Data:

Operating voltage	120-240V AC/DC* (min. 110V, max. 265V)
Heating element	PTC resistor, temperature limiting
Heater body	Extruded aluminium profile, anodised
Connection	3 pressure clamps for stranded wire 0.5-1.5mm ² (with wire end ferrule) and rigid wire 0.5-2.5mm ²
Connection casing	Plastic according to UL94 V-0, black
Mounting	Clip for 35mm DIN rail, EN 60715
Fitting position	Vertical
Op./storage temperature	-45 to +70°C
Prot. type / Prot. class	IP20 / I (earthed)
Approvals	VDE + UL file E150057
Accessories	Screw fixing

*Op. with voltages below 140V AC/DC reduces heating performance by approx. 10%.



Art. No.	Heating capacity*	Inrush current max.	Length (L)	Weight (approx.)
83190	15W	1.5A	65mm	0.3kg
83191	30W	3.0A	65mm	0.3kg
83192	45W	3.5A	65mm	0.3kg
83193	60W	2.5A	140mm	0.4kg
83194	75W	4.0A	140mm	0.5kg
83195	100W	4.5A	140mm	0.5kg
83196	150W	9.0A	220mm	0.7kg

*At 20°C (68°F) ambient temperature.