

# Small semiconductor Heater - HGK 047 Series

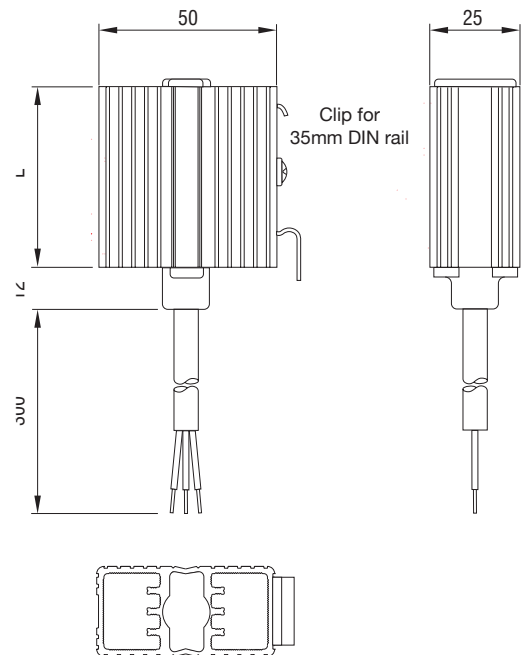
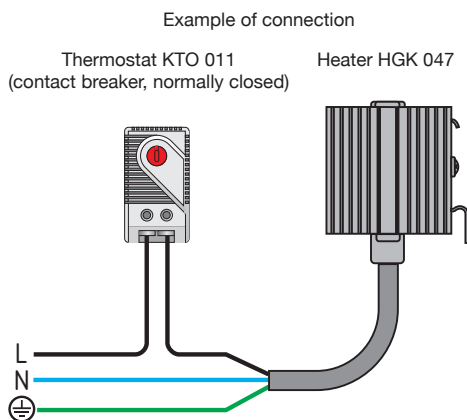
- Dynamic heating up
- Energy saving
- Wide voltage range
- Temperature limiting
- Clip fixing

The heaters are used in enclosures where condensation is to be prevented or the temperature may not fall below a minimum value. In this way corrosion is avoided and an even temperature is ensured.



### Technical Data:

Heating element	PTC resistor, temperature limiting
Heater body	Extruded aluminium profile, anodised
Mounting	Clip for 35mm DIN rail, EN 60715
Fitting position	Vertical
Op. / Storage temp.	-45 to +70°C
Prot. type / Prot. class	IP54 / I (earthed)
Accessories	Screw fixing



Art. No.	Operating voltage	Heating capacity <sup>1)</sup>	Inrush current max.	Length (L)	Weight (approx.)	Connection	Approval
83250	120-240V AC/DC <sup>2)</sup>	10W	1.0A	50mm	0.1kg	3 x 0.5mm <sup>2</sup> x 300mm sheathed cable (silicone)	VDE
83251	120-240V AC/DC <sup>2)</sup>	20W	2.5A	60mm	0.2kg	3 x 0.5mm <sup>2</sup> x 300mm sheathed cable (silicone)	VDE
83252	120-240V AC/DC <sup>2)</sup>	30W	3.0A	70mm	0.2kg	3 x 0.5mm <sup>2</sup> x 300mm sheathed cable (silicone)	VDE
83253	110-120V AC/DC	10W	1.0A	50mm	0.1kg	3 x AWG 20 x 300mm sheathed cable	UL File No. E150057
83254	110-120V AC/DC	20W	1.5A	70mm	0.2kg	3 x AWG 20 x 300mm sheathed cable	UL File No. E150057
83255	110-120V AC/DC	30W	1.5A	100mm	0.2kg	3 x AWG 20 x 300mm sheathed cable	UL File No. E150057

<sup>1)</sup> at 20°C ambient temperature; <sup>2)</sup> (min. 110V, max 265V) Operating with voltages below 140V AC/DC reduces heating performance by approx. 10%.