

Touch-Safe Small Semiconductor Heater - CSK 060 Series

- Low surface temperature
- Double insulated (plastic housing)
- Wide voltage range
- Temperature limiting
- Dynamic heating up
- Clip fixing

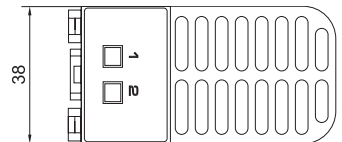
The heaters are used in enclosures where condensation is to be prevented or the temperature may not fall below a minimum value. In this way corrosion is avoided and an even temperature is ensured. The heaters are designed for permanent operation.



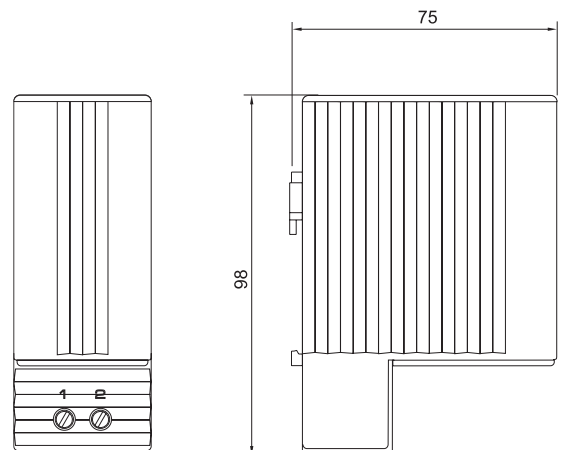
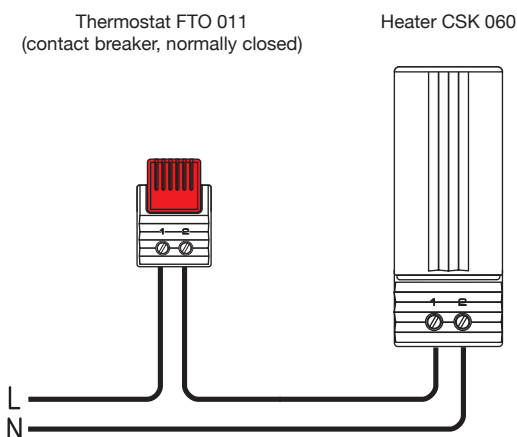
Technical Data:

Operating voltage	120-24V AC/DC* -(min. 110V, max. 265V)
Heating element	PTC resistor, temperature limiting
Surface temperature	<85°C (according to VDE 0100) except upper protective grille
Connection	2-pole terminal 2.5mm ² , torque 0.8Nm max.
Casing	Plastic according to UL94 V-0, black
Dimensions	98 x 38 x 75mm
Mounting	Clip for 35mm DIN rail, EN 60715
Fitting position	Vertical
Op./storage temp.	-45°C to +70°C
Prot. type / Prot. class	IP20 / II (double insulated)
Approvals	VDE + UL File No. E150057 (according to UL499 in combination with UL508A)
Note	Other voltages on request

*Op. with voltages below 140V AC/DC reduces heating performance by approx. 10%.



Example of connection



Art. No.	Heating capacity*	Inrush current max.	Weight (approx.)
	10W	1.0A	0.2kg
	20W	2.5A	0.3kg

* At 20°C (68°F) ambient temperature.