



Athena A - Towel Warmer

If you like bold, geometric shapes choose the Athena A. Its contrasting curves and right angles create an eye-catching effect, with no compromise on space. The Athena A towel warmer is packed with choices. It is reversible and give you the option of installing the units face-up or -down, left or right. The concealed connection point allows you to link the units directly to the mains power supply to achieve a totally seamless effect or to use the supplied cord and plug for connection to a power point. A simple flick of a switch is all you need to operate the Athena A.

TECHNICAL DATA

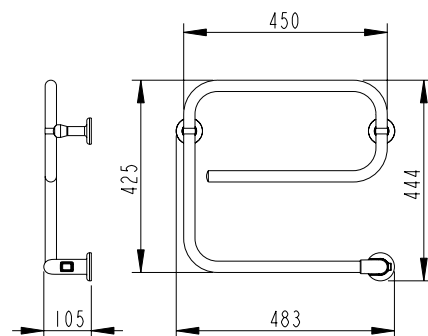
- Electric towel warmer
- Strong steel of the highest quality.
- Quiet and odour-free.
- Easy to install.
- Very low energy consumption (40-55 W).
- Choose between white RAL 9016 and chrome finish.
- Reversible
- Double-insulated
- Max. surface temperature 60°C

THERMOSTAT

- Two-pole on/off switch .
- Easy to install. During installation, choose whether you want the switch at the top or bottom.
- Choose between concealed and visible connection (sold with male contact).
- Towel warmer with heater cable for fixed installation, with 2-pole illuminated switch and concealed screw holes.
- Can be installed with concealed connection and with the connection housing at the top or bottom and on the right or left hand side.

PACKAGE

- Supplied with attached 1.5 m connection cable with plug and the necessary screws for installation.



Athena A

ATHENA A

Part no.	Colour	Power W	Height mm	Width mm	Voltage	Weight
9412580	Chrome	40	425	450	230	2
9412581	White	55	425	450	230	2

June 2014
01176 UK**SAN** Electro Heat a/s

Gillelejevej 30 - DK-3230 Graested - Denmark

Tel.: +45 48 39 88 88 - Fax: +45 48 39 88 98 - san@san-as.com - www.san-as.com

CVR No.: 42 16 59 13 - A/S reg. No.: 53 053