



Yali Comfort - Panel Radiator

For new-build and renovations alike, the Yali Comfort is a great mid-range option for heating the family home. Electronic thermostat with analogue controls and temperature / operating mode dials, give this standard electric radiator a simple range of functions that are easily controlled by the user. Front temperature can be set and the unit can be wired to an external clock for timed operation.

TECHNICAL DATA

- Oil-filled radiator with vegetable oil.
- Frost protection (7°C)
- Made from strong steel of the highest quality.
- Hard-wearing white epoxy paint (RAL 9016).
- Can be connected to wired external programmer.
- Simple to use, rapid heating and even temperature across the entire surface.
- System for locking the mounting device.
- Quiet, odour-free and non-allergenic.
- The radiators have convector plates and are for right-hand mounting

THERMOSTAT

- Advanced thermostat with precise regulation. Several temperature reduction options: 3.5°C (manual) or freely adjustable 0-15°C (via external control system).
- Adjustable maximum surface temperature to 75 or 60°C. The 75 and 60°C modes reduce the output of the radiator to 70 and 55% for a single and 90 and 80% for a double panel.
- Thermostat guard made from flame retardant and UV resistant ABS-PC V0.
- The temperature reduction can be activated manually or with a separate control wire connected to a central timer.
- The radiator is supplied with a cable with a "plug-in contact" for connecting the radiator and the enclosed wall outlet box.
- Can be controlled from other radiators or control other radiators in a master-slave configuration.

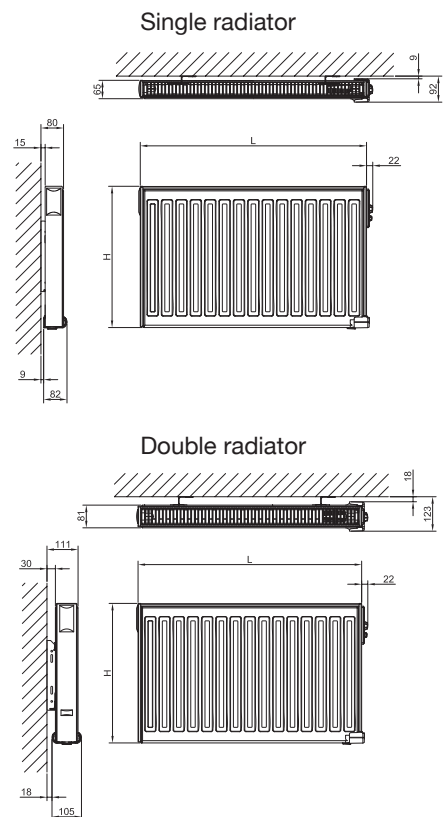
ACCESSORIES

- Can be supplied with a plug (230 V) instead of a wall outlet box. When ordering, use the same model designation as the standard radiators, but with the supplement P (YALI D P). The central temperature reduction and master-slave

- option are not available in this version.
- Splash proof cover for IP 44.

PACKAGE

- Delivered with wall brackets and screws for permanent installation.
- The radiators have convector plates and are to be mounted with the thermostat on the right hand side.



HEIGHT 300 MM

Model	Article	Power W	Height mm	Length mm	Voltage	Weight
Single	8501010	250	300	400	230	5
Single	8501011	250	300	400	400	5
Single	8501012	500	300	800	230	9
Single	8501013	500	300	800	400	9
Double	8501014	500	300	500	230	10
Double	8501015	500	300	500	400	10
Single	8501016	750	300	1100	230	14
Single	8501017	750	300	1100	400	14
Double	8501018	750	300	800	230	15
Double	8501019	750	300	800	400	15
Double	8501020	1000	300	1000	230	19
Double	8501021	1000	300	1000	400	19
Double	8501022	1250	300	1300	230	24
Double	8501023	1250	300	1300	400	24

HEIGHT 500 MM

Model	Article	Power W	Height mm	Length mm	Voltage	Weight
Single	8501024	500	500	550	230	10
Single	8501025	500	500	550	400	10
Double	8501026	500	500	400	230	12
Double	8501027	500	500	400	400	12
Single	8501028	750	500	800	230	14
Single	8501029	750	500	800	400	14
Double	8501030	750	500	500	230	15
Double	8501031	750	500	500	400	15
Single	8501032	1000	500	1050	230	19
Single	8501033	1000	500	1050	400	19
Double	8501034	1000	500	650	230	20
Double	8501035	1000	500	650	400	20
Single	8501036	1250	500	1300	230	23
Single	8501037	1250	500	1300	400	23
Double	8501038	1250	500	800	230	24
Double	8501039	1250	500	800	400	24
Double	8501040	1500	500	950	230	28
Double	8501041	1500	500	950	400	28



Splash proof cover for
IP44.