

Thermostat - KTO/KTS 011

- Large setting range
- Small size
- Simple to mount
- High switching performance

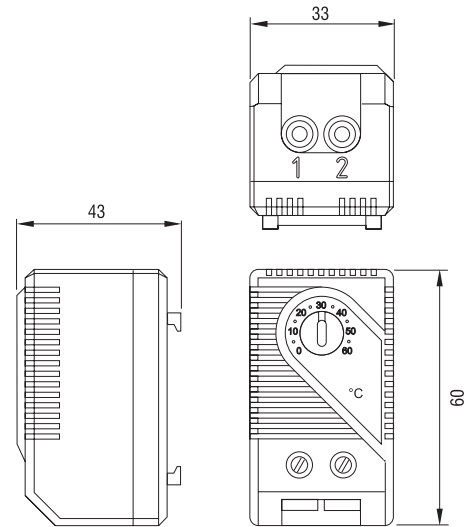
KTO 011: Thermostat (normally closed), contact breaker for regulating heaters.

KTS 011: Thermostat (normally open), contact maker for regulating of filter fans and heat exchangers or for switching signal devices when temperature limit has been exceeded.



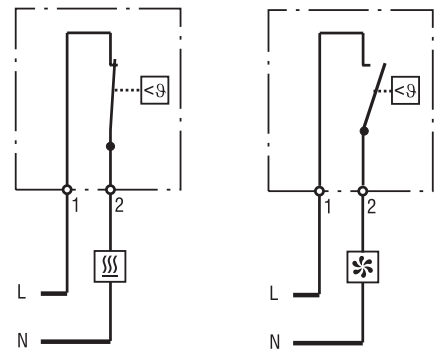
Technical Data:

Switch temperature difference	7K (±4K tolerance)
Sensor element	Thermostatic bimetal
Contact type	Snap-action contact
Contact resistance	<10mΩ
Service life	>100,000 cycles
Max. switching capacity	250VAC, 10 (2) A 120VAC, 15 (2) A DC 30W
EMC	acc. to EN 55014-1-2, EN 61000-3-2, EN 61000-3-3
Connection	2-pole terminal, clamping torque 0.5Nm max.: rigid wire 2.5mm ² stranded wire (with wire end ferrule) 1.5mm ²
Mounting	Clip for 35mm DIN rail, EN60715 (or for exit filter EF 118 Series)
Casing	Plastic according to UL94 V-0, light grey
Dimensions	60x33x43mm
Weight	Approx. 40g
Fitting position	Variable
Op/storage temp.	-45 to +80°C
Protection type	IP20

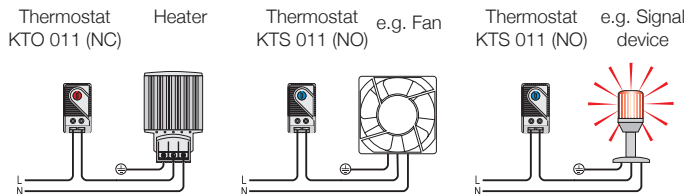


Thermostat KTO 011 (NC)

Thermostat KTS 011 (NO)



Connection diagrams



Example of connection

Setting range	Art. No. Contact Breaker (NC)	Art. No. Contact Maker (NO)	Approvals
0 to +60°C			VDE
-10 to +50°C			VDE
+20 to +80°C			VDE
+32 to +140°F			UL File No. E164102
+14 to +122°F			UL File No. E164102
0 to +60°C			UL File No. E164102