

### 1-Phase Low Voltage Isolating Transformer, 2 and 6,3kVA, IP00

#### Type 2LT-00

Open single-phase non short circuit proof transformers with power range from 1,25 to 125kVA. Designed and tested according to norm EN61558-2-4, IEC60076 and IEC60726. Standard types designed as isolating transformers with separate primary and secondary windings. Degree of protection IP00. Accessories; Temperature control units with alarm or trip [TC], PT100 sensors [PT], RTD sensors [RTD].

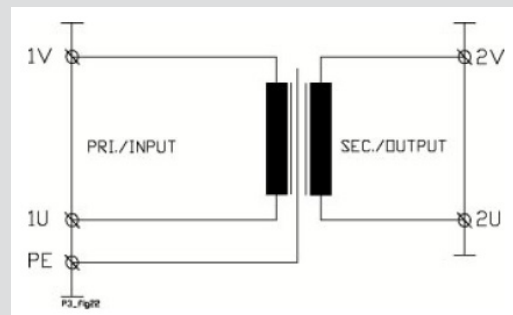
#### Applications:

This is an ideal design for transforming voltage up or down, or for installations which require a galvanic partition between the primary and secondary voltage. E.g. electric motor, compressor, cooling plants, automatic washingmachines, etc. Custom designed types with other voltages, frequencies, electrostatic shield between primary and secondary, regulations, tappings, transport wheels or other features are available on request.

#### Technical specifications

- Input voltage: 0-230V
- Frequency: 47-63Hz
- Output voltage: 230V
- According to: EN61558-2-4, D.N.V., IEC60726 / IEC60076
- Test/insulating voltage: 3kV AC RMS
- Construction class: I (earth terminal)
- Insulation class: F (155°C) - standard  
H (180°C) - option
- Ambient temp. (ta): 45°C (D.N.V.)
- Degree of protection: IP00
- Connections: - Terminal block

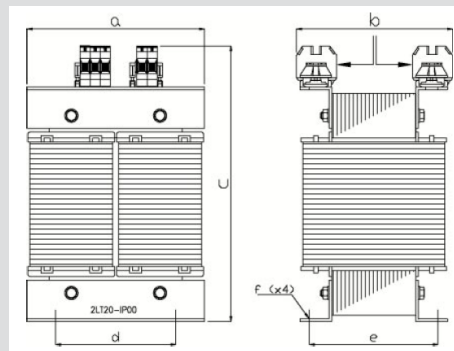
#### Wiring Diagramme



All transformers are designed according to the following standards;

IEC60726, IEC60076, D.N.V.,  
EN55014:1993 (EN55014-1:1997),  
EN61000-3-2:1995, EN61000-3-3:1995  
EN55104:1995 (EN55014-2:1997),  
EN50081-1:1992, EN50082-2:1995 based on the following directives; L.V.D 73/23/EEC, 93/68/EEC, EMC 89/336/EEC, 91/263/EEC.

#### Dimensions:



Power (kVA)	Type	Length a	Width b	Height c	Dimensions					Weight (kg)
					bl	c2	d	e	f <sup>(ø)</sup>	
2.0	2LT2.0	176	165	285	-	-	112	107	10x18	21
6.3	2LT6.3	240	243	380	-	-	144	155	10x18	48