

Thermostat - REx 011 Series

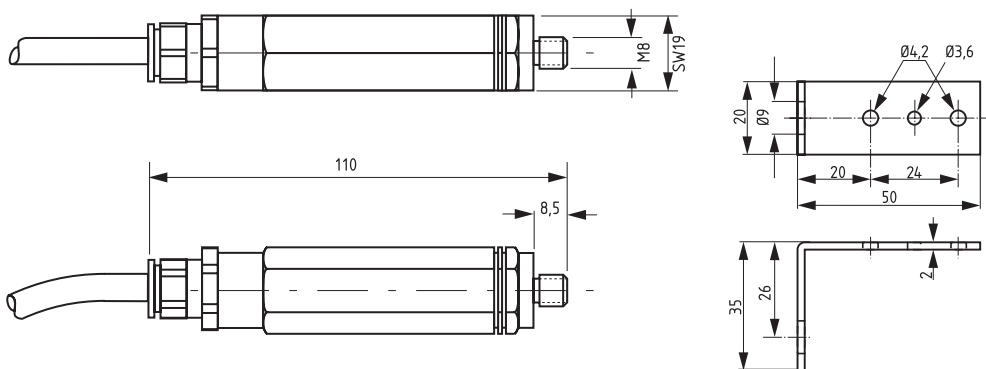
- Compact design
- Set temperature
- High switching capacity

Compact small mechanical thermostat for temperature regulation and monitoring of heaters in, for example, transmitter cabinets, control panels and measuring equipment which are deployed in areas with explosion hazard. The special switch construction enables high response accuracy, small switch temperature difference and a very long service life. High switching performance allows direct control of the heaters.



Technical Data:

Explosion proof acc. to EN	LCIE (Laboratoire Central des Industries Electriques)
Conformity certificate	01 ATEX 6074/02, LCIE N° 06 ATEX 08011, IECEx LCI 07. 0021
Sensor element	Thermostatic bimetal
Contact type (1-pole)	Opens with rising temperature
Service life	>100,000 cycles
Max. switching capacity	250VAC, 4 (1) A
Connection	Si HF - JZ 3x0.75mm ² , length 1m
Mounting	mounting bracket with nut M8 (see illustration)
Casing	Aluminium, black anodised
Dimensions	length 110mm
Weight	Approx. 0.2kg
Fitting position	Variable
Op/storage temp.	-20 to +40°C / -45 to +70°C
Prot. type/ Prot. class	IP65 / I (earthed)



Aluminium
Mounting Bracket

Art. No.	Ex protection type	Switch-off temperature	Switch temperature difference
	d IIC T6 - Ex tD A21 IP6X T85°C	+15°C (±4K tolerance)	4K (±1K tolerance)
	d IIC T6 - Ex tD A21 IP6X T85°C	+25°C (±4K tolerance)	4K (±1K tolerance)