

# Electronic Frost Protection Thermostat Type ELTC 05

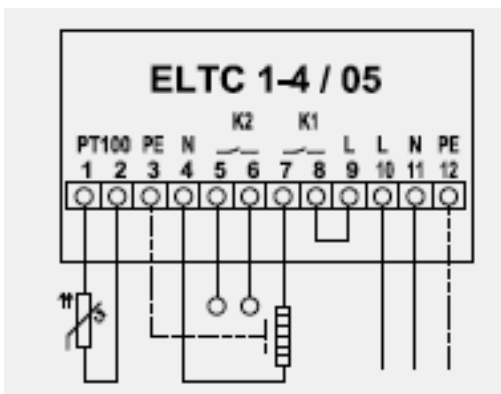


## ERC

The electronic temperature controller ELTC 05-Frost-control is designed for use as an ambient thermostat and surface thermostat with remote sensor. Cable glands and terminals are provided for power input. The unit is supplied in a weather proof plastic enclosure for wall mounting, with a grey cover.

The controller should be protected from direct sunlight when used outdoors. In case of use as ambient temperature controller, the sensor cable is shortened to allow fastening of the sensor sleeve within the M12 gland. The sleeve should project by approximately 15 mm.

### Wiring diagram



Load relay K2  
(optional)

Sensor      Heating      Power supply

Type	Designation
ELTC 05	Incl. Pt100, with 1 Relay, 230V, 2xM25, 1xM12
ELTC 05	Incl. Pt100, with 1 Relay, 110V, 2xM25, 1xM12
ELTC 05	Incl. Pt100, with 2 Relay, 230V, 2xM25, 1xM12
ELTC 05	Without Pt100, with 1 Relay, 230V, 2xM25, 1xM12

Note: Versions for higher temperatures are available upon request

### Advantages:

- Weather proof
- Fixed switching set point

### Applications:

- Heat tracing for frost protection
- Can be used as ambient and surface thermostat
- Suitable for resistance heating lines and self-regulating heating cab

### Technical data:

Supply voltage..... 230V, +/- 10%, 50Hz,  
..... optional voltages upon request  
Switching capacity ..... 16A  
Hysteresis ..... Approx 1 Kelvin  
Measurement input ..... Pt100 DIN 2-wire, with 5m  
..... PVC connecting cable (temp. max 90°C)  
Switching point ELTC/05..... +3°C (set point)  
Ambient temperature..... -30 uo to +60°C  
Control characteristics ..... Dual mode controller  
Output ..... 1 relay contact  
LED..... Heating ON (yellow)  
Enclosure..... Polycarbonate  
Dimensions..... 130 x 130 x 75mm  
IP rating ..... IP65  
Weight ..... 520g

### Electronic Temperature Controller

Type ELTC 05-Frostcontrol, switching point +3°C (set point)

### Function

If the sensed temperature is lower than the adjusted set point, the relay contact closes and the heating switches on.

Special designs available upon request.