

- Magnetic or optional DIN rail mounting
- Energy-saving lamp
- Lamp without (with electrical socket (choice of sockets))
- On/off switch

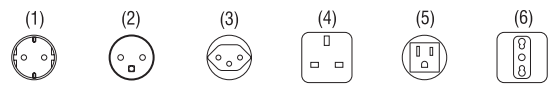
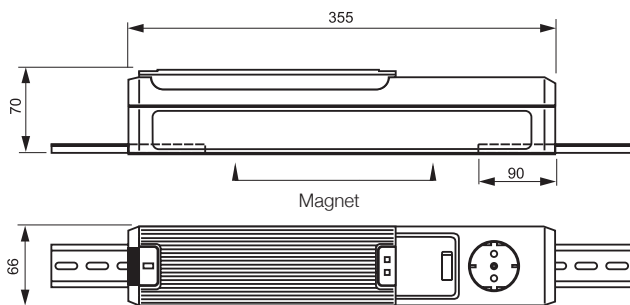
The compact lamp KL 025 was especially designed for use in enclosures. A powerful magnet enables the lamp to be mounted freely in any desired position in metal enclosures saving time and installation problems. The integrated electrical socket allows the use of additional appliances.

Lamp shown with protective plastic cover (see Accessories)



Technical Data:

Luminosity	900Lm
Lamp type	Compact fluorescent lamp with integral starter
Service life	5,000h
Switch	On/off light switch
Connection	3-pole terminal 2.5mm ² with cable clamp, torque 0.8Nm max.
Mounting	Magnet fixing
Casing	Plastic, light grey
Dimensions	355x65x70mm
Weight	Approx. 1kg
Fitting position	Variable
Op/storage temp.	-20 to +50°C / -45 to +70°C
Protection type	IP20
Accessories	Lamp cover, Art. No. (see photo)



In plastic, aluminium or stainless steel cabinets the lamp can be fixed using screws together with inserted 35mm DIN rail sections.

Art. No.	Operating voltage	Socket	Power consumption	Nominal Current	Protection class	Approvals
	230VAC, 50Hz	Germany/Russia (1)	11W (equals 75W light bulb)	16.0A	I (earthed)	VDE
	230VAC, 50Hz	none	11W (equals 75W light bulb)	-	II (double insulated)	-
	230VAC, 50Hz	F/PL/CZ/SK (2)	11W (equals 75W light bulb)	16.0A	I (earthed)	-
	230VAC, 50Hz	Switzerland (3)	11W (equals 75W light bulb)	10.0A	I (earthed)	-
	230VAC, 50Hz	UK/Ireland (4)	11W (equals 75W light bulb)	13.0A	I (earthed)	-
	230VAC, 50Hz	Italy (6)	11W (equals 75W light bulb)	16.0A	I (earthed)	-
	120VAC, 60Hz	USA/Canada (5)	9W (equals 60W light bulb)	15.0A	I (earthed)	-
	120VAC, 60Hz	none	9W (equals 60W light bulb)	-	II (double insulated)	-