

Electronic Hygostat - ETF012

- Efficient temperature & humidity control
- Wide voltage range
- Operating temperature down to -40°C
- High switching capacity
- DIN rail mountable

The ETF 012 senses the ambient temperature and relative air humidity in an enclosure. Depending on which contact combination is chosen, it then turns on or off a connected device if either the temperature is below or the humidity is above the set point. The integrated LED in each adjustment knob is lit when indicating the active function.

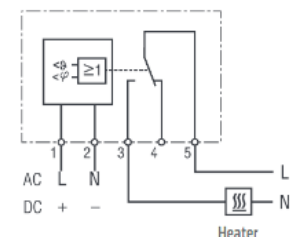
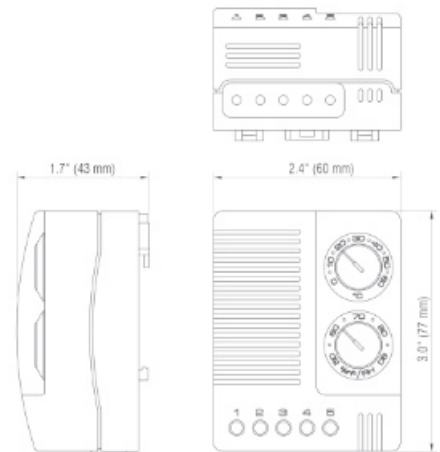


Technical Data:

Switching difference (temperature)	2K (+/-1K tolerance) at +25°C, 50%RH
Switching difference (humidity)	4%RH (+/-1% tolerance) at 25°C, 50%RH
Reaction time (humidity)	Approx. 5 sec.
Contact type	SPDT / change-over contact (relay)
Service life	VDE: NO/NC: >15,000 cycles UL: NO/NC >30,000 cycles
Max switching capacity (relay output)	10A resistive / 1.6A inductive at AC240V 0.6A at DC 60V ¹
Max inrush current	AC 30A for 10 sec.
Connection	5-pole terminal, clamping torque 0.5Nm max: solid/stranded ¹ wire - AWG 14 max. (2.5mm ²)
Housing	plastic, UL 94V-, light grey
Mounting	clip for 35mm DIN rail, EN 60715
Mounting position	vertical
Operating/storage temperature	-40 to +60°C
Operating/storage	max 95% RH (non-condensing)
Setting range	50 to 90%RH
Operating voltage	AC100-240V, 50/60Hz (min AC 90V, max AC 265V) DC24-48V, (min DC 20V, max DC 60V)
Dimensions	77x60x43mm
Weight	approx. 100g
Protection class/protection type	IP20
Approvals	UL File No.: E164102, VDE, GOST-R

¹Not UL confirmed

²When connecting with stranded wires, wire end ferrules must be used.



Wiring examples:

