

# Electronic Hygostat - ETF012

- Efficient temperature & humidity control
- Wide voltage range
- Operating temperature down to -40°C
- High switching capacity
- DIN rail mountable

The ETF 012 senses the ambient temperature and relative air humidity in an enclosure. Depending on which contact combination is chosen, it then turns on or off a connected device if either the temperature is below or the humidity is above the set point. The integrated LED in each adjustment knob is lit when indicating the active function.

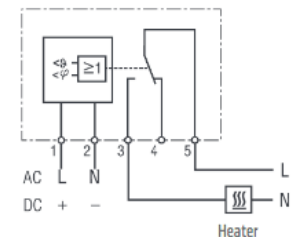
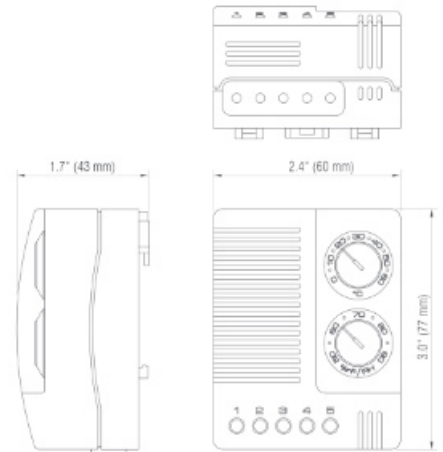


### Technical Data:

Switching difference (temperature)	2K (+/-1K tolerance) at +25°C, 50%RH
Switching difference (humidity)	4%RH (+/-1% tolerance) at 25°C, 50%RH
Reaction time (humidity)	Approx. 5 sec.
Contact type	SPDT / change-over contact (relay)
Service life	VDE: NO/NC: >15,000 cycles UL: NO/NC >30,000 cycles
Max switching capacity (relay output)	10A resistive / 1.6A inductive at AC240V 0.6A at DC 60V <sup>1</sup>
Max inrush current	AC 30A for 10 sec.
Connection	5-pole terminal, clamping torque 0.5Nm max: solid/stranded <sup>1</sup> wire - AWG 14 max. (2.5mm <sup>2</sup> )
Housing	plastic, UL 94V-, light grey
Mounting	clip for 35mm DIN rail, EN 60715
Mounting position	vertical
Operating/storage temperature	-40 to +60°C
Operating/storage	max 95% RH (non-condensing)
Setting range	50 to 90%RH
Operating voltage	AC100-240V, 50/60Hz (min AC 90V, max AC 265V) DC24-48V, (min DC 20V, max DC 60V)
Dimensions	77x60x43mm
Weight	approx. 100g
Protection class/protection type	IP20
Approvals	UL File No.: E164102, VDE, GOST-R

<sup>1</sup>Not UL confirmed

<sup>2</sup>When connecting with stranded wires, wire end ferrules must be used.



### Wiring examples:

