

Electronic Hygrostat - EFL012

- Large setting range
- Compact design
- Small hysteresis
- Optical function display
- Signal application

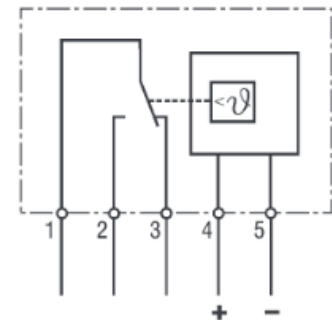
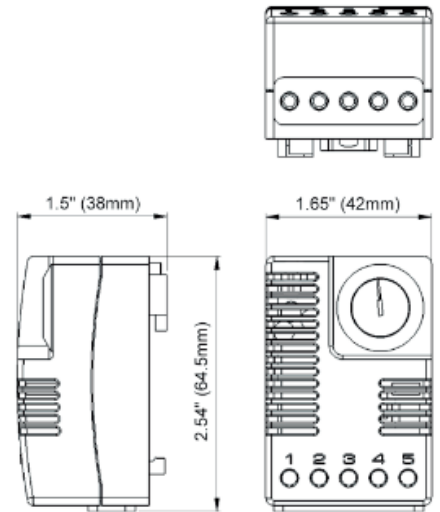
The electronic hygrostat is used for controlling heating and cooling equipment, filter fans or signal devices through the relay SM 010 or a similar device. The hygrostat registers the surrounding relative humidity and can switch a signal current via an internal relay with a potential free change-over contact. The LED integrated in the adjustment knob show the closed status of the contact 1-2. When relative humidity drops contact 1-2 opens and the LED turns off. In currentless state (no supply voltage) contact 1-2 opens.



Technical Data:

Switching difference	5%RH (+/-3RH tolerance) at 25°C and 50%RH
Reaction time	Approx. 5 sec.
Contact type	SPDT / change-over contact (relay)
Service life	>100,000 cycles (at 10mW)
Max switching capacity (relay output)	0.5A at DC 48V
Min switching load	DC 10 mW (at 0.1V, 100mA or 1 mA, 10V)
Optical indicator	LED
Connection	5-pole terminal, clamping torque 0.5Nm max: solid/stranded ¹ wire - AWG 14 max. (2.5mm ²)
Housing	plastic, UL 94V=, light grey
Mounting	clip for 35mm DIN rail, EN 60715
Mounting position	vertical
Operating/storage temperature	0 to +60°C / -20 to +70°C
Operating/storage	max 95% RH (non-condensing)
Setting range	40 to 90%RH
Operating voltage	DC 12-48V (min DC 10V, max DC 60V)
Dimensions	64.5x42x38mm
Weight	approx. 70g
Protection class/protection type	IP20
Approvals	UL File No.: E164102, VDE submitted

¹When connecting with stranded wires, wire end ferrules must be used.



Wiring examples:

