

Electronic Thermostat - ETR011

- Large setting range
- Compact design
- Small hysteresis
- Optical function display (LED)
- DIN rail mountable

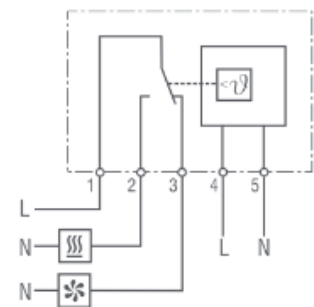
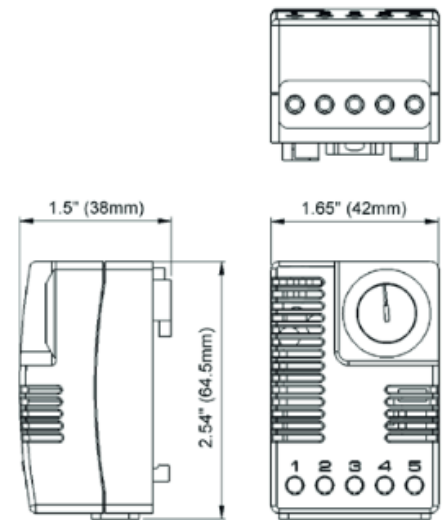
The ETR 011 electronic thermostat is used for controlling heating and cooling equipment, filter fans or signal devices through the relay SM 010 or a similar device. The thermostat senses the surrounding air temperature and can switch both resistive and inductive loads via an SPDT contact. The integrated LED is lit when the NC is closed (i.g. connected heater is operating).



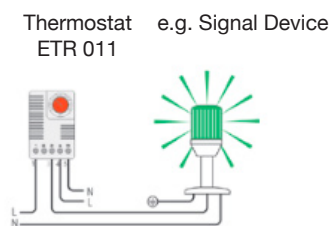
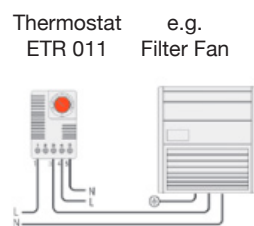
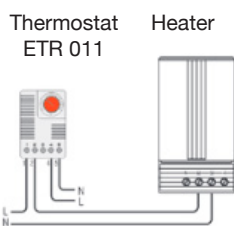
Technical Data:

Switching difference	4K +/-1K tolerance at 20°C
Sensor element	NTC
Reaction time	Approx. 5 sec.
Contact type	SPDT / change-over contact (relay)
Service life	>50,000 cycles
Max switching capacity	8A resistive / 1.6A inductive at AC120V 8A resistive / 1.6A inductive at AC240V 100W at DC 24V
Max inrush current	AC 16A for 10 sec.
Connection	5-pole terminal, clamping torque 0.5Nm max: solid/stranded ¹ wire - AWG 14 max. (2.5mm ²)
Housing	plastic, UL 94V-, light grey
Mounting	clip for 35mm DIN rail, EN 60715
Mounting position	vertical
Operating/storage temperature	-40 to +85°C
Operating/storage	max 95% RH (non-condensing)
Setting range	-4 to +140°F or -20 to +60°C
Dimensions	64.5x42x38mm
Weight	approx. 60g
Protection class/protection type	IP20
Approvals	UL File No.: E164102, VDE, GOST R

¹When connecting with stranded wires, wire end ferrules must be used.



Wiring examples:



- Enclosure heater
- Filter fan, cooling equipment, signal device.