

Electro Heat Thermostat - ST001 1/STS01 1

- Adjustable thumbwheel setting
- Compact design
- Small hysteresis
- High switching capacity
- DIN rail mountable

The ST011 thermostat is an SPST regulator with small hysteresis. The housing design ensures optimized air circulation around the sensor element.

Thermostat NC (normally closed): Thermostat opens on temperature rise (red thumbwheel) - for regulating heaters or for switching signal devices when temperature has fallen below the minimum value.

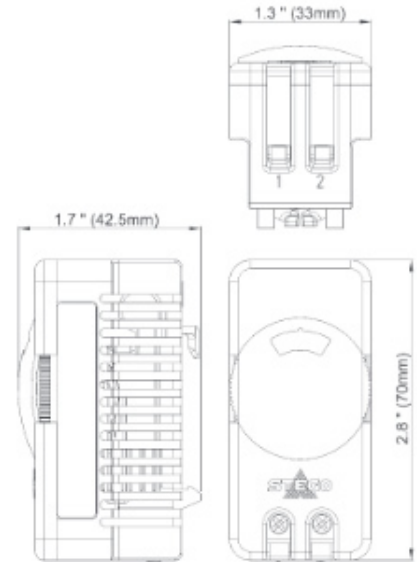
Thermostat NO (normally open): Thermostat closes on temperature rise (blue thumbwheel) - for regulating filter fans, heat exchangers, cooling devices or for switching signal devices when temperature limit has been exceeded.



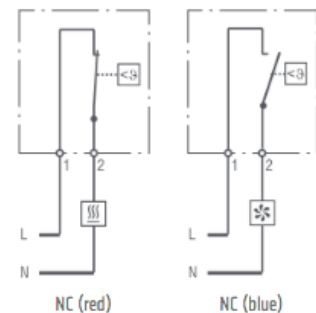
Technical Data:

Switching difference	4K +/-3K tolerance
Sensor element	thermostatic bimetal
Contact type	snap-action contact
Service life	>100,000 cycles
Max switching capacity	15A resistive / 2A inductive at AC120V 10A resistive / 2A inductive at AC250V DC 30W (DC 24-72V)
Max inrush current	AC16A for 10 sec.
Connection	2-pole terminal, clamping torque 1Nm max: solid/stranded ¹ wire - AWG 14 max. (2.5mm ²)
Housing	plastic, UL 94V-0, light grey
Mounting	clip for 35mm DIN rail, EN 60715
Mounting position	vertical
Operating/storage temperature	-45 to +80°C
Operating/storage	max 90% RH (non-condensing)
Setting range	+32 to +140°F or 0 to +60°C
Dimensions	70x33x42mm
Weight	approx. 50g
Protection class/protection type	IP20
Approvals	UL File No.: E164102, VDE, GOST-R
Important note	The contact system of the regulator is subjected to environmental influences, thus the contact resistance may change. This can lead to a voltage drop and/or self-heating of the contacts.

¹When connecting with stranded wires, wire end ferrules must be used.



Convenient minimum setpoint symbol on the NC thermostat to assure enclosure temperature remains above freezing.



Wiring examples:

