

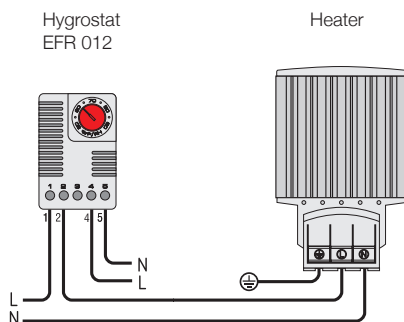
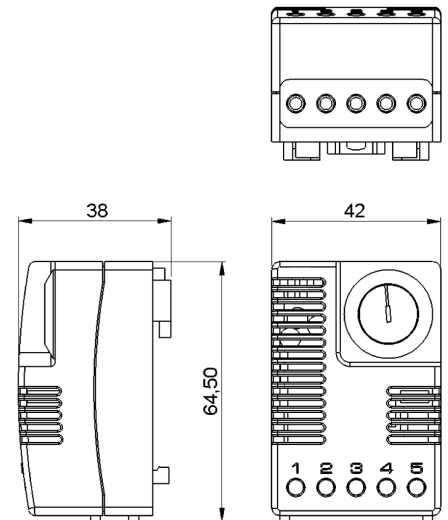
- Adjustable and pre-set relative humidity
- Optical operating display (LED)
- High switching capacity
- Clip fixing
- Temperature-compensated

The electronic hygrostat senses the relative humidity in an enclosure with electric/electronic components, and turns on a heater at the set point, helping prevent the formation of condensation in the enclosure. The LED integrated in the adjustment knob is lit when the connected heater is in operation.

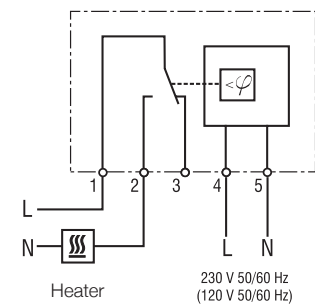


Technical Data:

Switch difference	5% RH ($\pm 1\%$ RH tolerance) at 25°C (50% RH)
Reaction time	Approx. 5 sec.
Contact type	Change-over contact (relay)
Service life	>50,000 cycles
Max. switching capacity (relay output)	240VAC, 8 (1.6) A 120VAC, 8 (1.6) A 24VDC, 4A
EMC	acc. to EN 55014-1-2, EN 61000-3-2, EN 61000-3-3
Optical indicator	LED
Connection	5-pole terminal, clamping torque 0.5Nm max.: rigid wire 2.5mm ² stranded wire (with wire end ferrule) 1.5mm ²
Mounting	Clip for 35mm DIN rail, EN60715
Casing	Plastic according to UL94 V-0, light grey
Dimensions	64.5x42x38mm
Weight	Approx. 70g
Fitting position	Vertical
Op/storage temp.	0 to +60°C / -20 to +70°C
Max storage humidity	90% RH (without condensation)
Protection type	IP20



Example of connection



Connection diagram

Art. No.	Operating voltage	Setting range	Approvals
	230VAC, 50/60Hz	40 to 90% RH	VDE, (UL intended)
	230VAC 50/60Hz	65% RH pre-set	VDE; (UL intended)
	120VAC, 50/60Hz	40 to 90% RH	UL intended
	120VAC, 50/60Hz	65% RH pre-set	UL intended