

SAN Flow Modules

Application:

The SAN flow modules are used for building of an electrical heating system, which considers demands on flexibility, power and space utilization.

The modules A, B and C are available in carbon steel or in stainless steel and can have an immersion heater type B, type BRC or type BO mounted, according to the media to be heated. The immersion heaters can be equipped with thermostat and limiter.

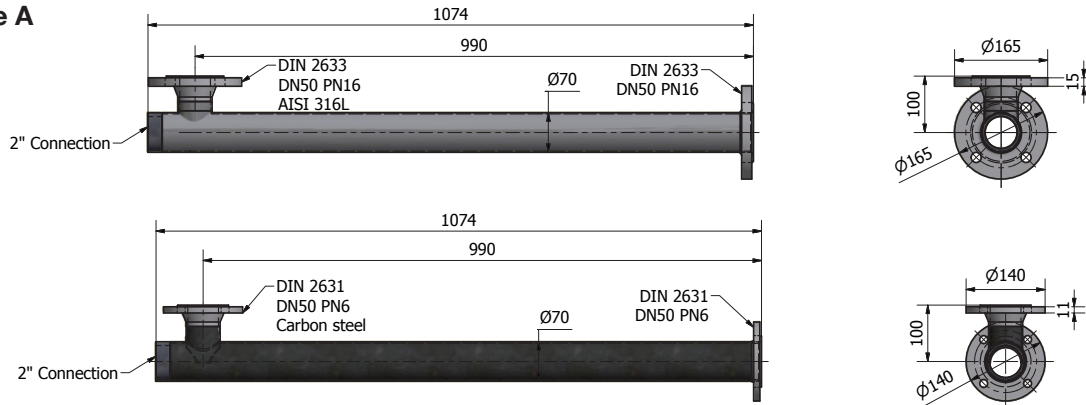
The modules A and B in stainless steel (AISI 316) have flange connections according to DIN 2633 (PN16, DN50). In normal carbon steel the modules are delivered according to DIN 2631 (PN6, DN50).

Module C has a 3/4" connection. Insulation can be made.

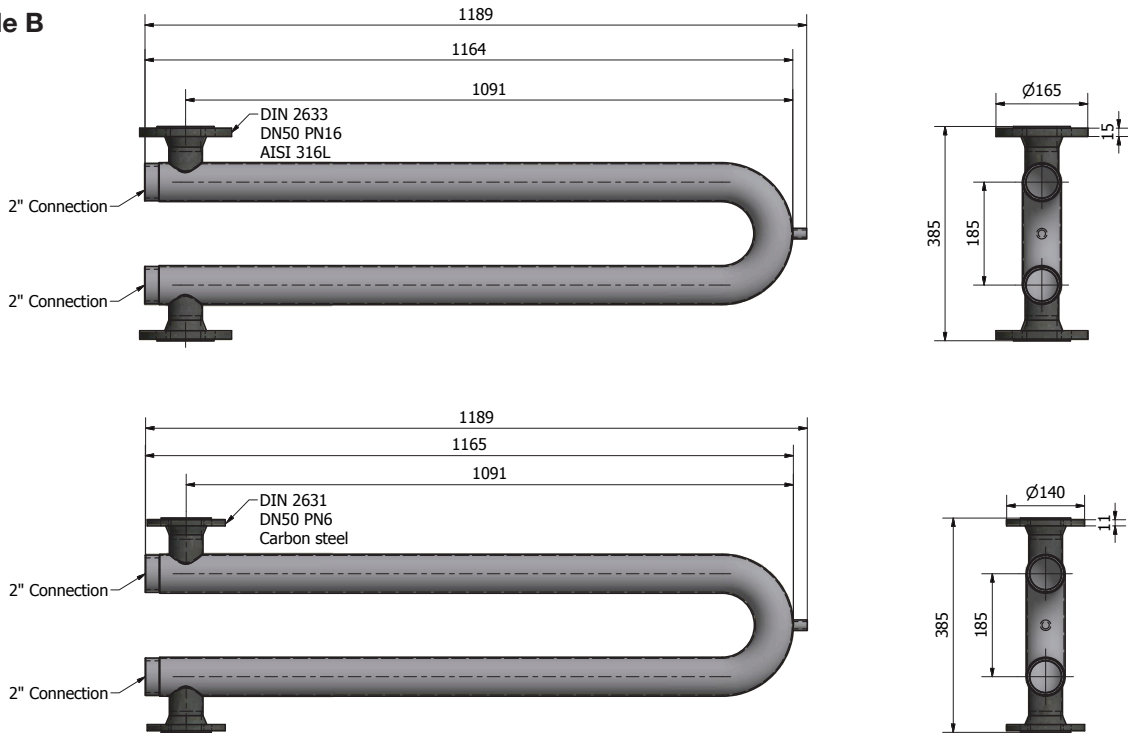
Type		Part no.
Module A, carbon steel		30134
Module A, acid proof, ss., Werkst. no. 1.4435/AISI 316L		S 125504
Module B, carbon steel		30135
Module B, acid proof, s.s., Werkst. no. 1.4435/AISI 316L		S 124062
Welding flange for module A and B, steel		41141
Welding flange for module A and B, stainless steel AISI 316		41152
Bolting set with gasket for A and B, steel		30960
Bolting set with gasket for A and B, stainless steel		30965
Module C, carbon steel		30140
Module C, acid proof, s.s., Werkst. no. 1.4435/AISI 316L		30142
Module C, stainless steel EN 1.4404 max 5 bar, connection G 3/4" for in- and outlet Cell rubber insulation for mounting on tubes. Thickness 10mm	Length: 320mm	30143
	465mm	30144
	585mm	30145
	850mm	30146
	965mm	30147
Insulation for flow-through tube, for 30143		30148
Insulation for flow-through tube, for 30144		30149
Insulation for flow-through tube, for 30145		30150
Insulation for flow-through tube, for 30146		30151
Insulation for flow-through tube, for 30147		30152

Electro Heat SAN Flow Modules

Module A



Module B



Module C

