

Dual-Thermostat - FTD 011

- NO and NC in one casing
- Default temperature settings
- High switching accuracy
- Clip fixing



Two thermostats in one casing:

Tamperproof (Pre-set) Thermostat/Contact breaker (NC)

for regulating heaters or for switching signal devices when temperature has fallen below the minimum value. The contact opens when temperature is rising.

Tamperproof (Pre-set) Thermostat/Contact maker (NO)

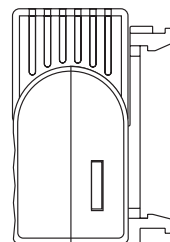
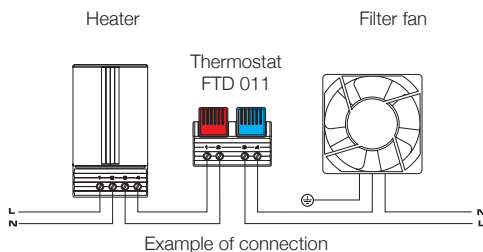
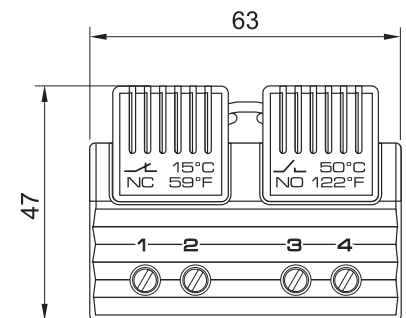
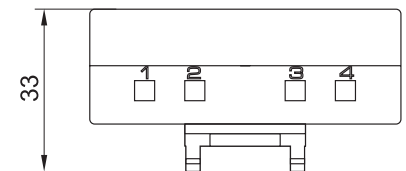
for regulating filter fans, heat exchangers or for switching signal devices when temperature limit has been exceeded. The contact closes when temperature is rising.

Heaters and cooling equipment can be switched independently from each other with a temperature offset as opposed to the usual change-over contacts.



Technical Data:

Sensor element	Thermostatic bimetal
Contact type	Snap-action contact
Contact resistance	<20mΩ
Service life	>100,000 cycles
Max. switching capacity	250VAC, 5 (1.6) A 120VAC, 10 (2) A DC 30W
Max. inrush current	AC 10A
EMC	ac. to EN 55014-1-2, EN 61000-3-2, EN 61000-3-3
Connection	4-pole terminal for 12.5mm ² , torque 0.8Nm max.
Mounting	Clip for 35mm DIN rail, EN60715
Casing	Plastic according to UL94 V-0, light grey
Dimensions	47x63x33mm
Weight	Approx. 40g
Fitting position	Variable
Op/storage temp.	-20 to +80°C / -45 to +80°C
Protection type	IP20
Approvals	VDE + UL File No. E164102



Art. No.	Contact breaker (NC)		Contact maker (NO)	
	Switch-off temperature	Switch-on temperature	Switch-on temperature	Switch-off temperature
	+15°C (±5K tolerance)	+5°C (±5K tolerance)	+50°C (±6K tolerance)	+40°C (±7K tolerance)
	+25°C (±5K tolerance)	+15°C (±5K tolerance)	+60°C (±6K tolerance)	+50°C (±7K tolerance)
	+15°C (±5K tolerance)	+5°C (±5K tolerance)	+35°C (±6K tolerance)	+25°C (±7K tolerance)
	+25°C (±5K tolerance)	+15°C (±5K tolerance)	+50°C (±6K tolerance)	+40°C (±7K tolerance)
Art. No.	Contact maker (NO)		Contact maker (NO)	
	Switch-on temperature	Switch-off temperature	Switch-on temperature	Switch-off temperature
	+50°C (±6K tolerance)	40°C (±7K tolerance)	+60°C (±6K tolerance)	+50°C (±7K tolerance)