

Tamperproof (Pre-set) Thermostats - FTO/FTS 011

- Small size
- Default temperature settings
- Easy to install
- High switching tolerance



Tamperproof (Pre-set) Thermostat FTO 011

Contact breaker / NC (red casing) for regulating heaters or for switching signal devices when temperature has fallen below the minimum value. The contact opens when temperature is rising.

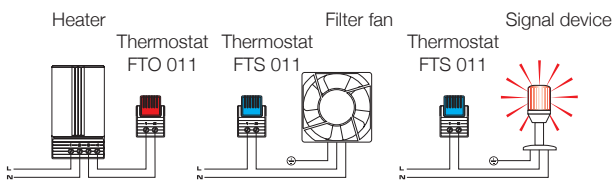
Tamperproof (Pre-set) Thermostat FTS 011

Contact maker / NO (blue casing) for regulating filter fans, heat exchangers, cooling devices or for switching signal devices when temperature limit has been exceeded. The contact closes when temperature is rising.

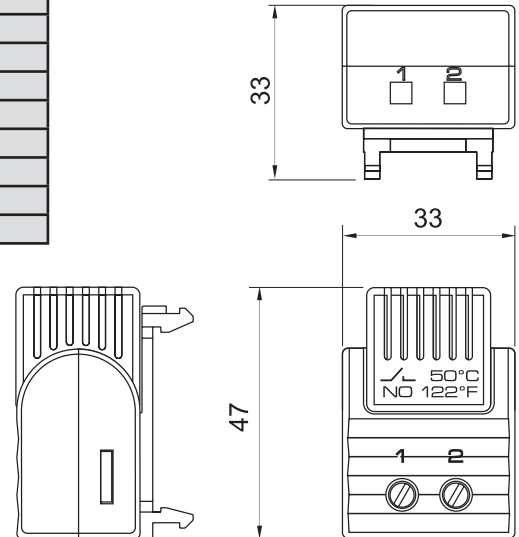


Technical Data:

Sensor element	Thermostatic bimetal
Contact type	Snap-action contact
Contact resistance	<20mΩ
Service life	>100,000 cycles
Max. switching capacity	250VAC, 5 (1.6) A 120VAC, 10 (2) A DC 30W
Max. inrush current	AC 10A
EMC	acc. to EN 55014-1-2, EN 61000-3-2, EN 61000-3-3
Connection	2-pole terminal for 2.5mm ² , torque 0.8Nm max.
Mounting	Clip for 35mm DIN rail, EN60715
Casing	Plastic according to UL94 V-0, light grey
Dimensions	47x33x33mm
Weight	Approx. 30g
Fitting position	Variable
Op/storage temp.	-20 to +80°C / -45 to +80°C
Protection type	IP20
Approvals	VDE + UL File No. E164102



Example of connection



Art. No.	Contact	Switch-off temperature	Switch-on temperature
	Contact breaker (NC)	+15°C (±5K tolerance)	+5°C (±5K tolerance)
	Contact breaker (NC)	+25°C (±5K tolerance)	+15°C (±5K tolerance)
		Switch-on temperature	Switch-off temperature
	Contact maker (NO)	+50°C (±6K tolerance)	+40°C (±7K tolerance)
	Contact maker (NO)	+60°C (±6K tolerance)	+50°C (±7K tolerance)
	Contact maker (NO)	+35°C (±6K tolerance)	+25°C (±7K tolerance)