

Fan Heater 3kW - 21kW



Description

This fan heater is a rigid and reliable fan heater designed for harsh weather and rough environments, where fine materials and high performance are required for example on building and construction sites or in ship building industries.

Our fan is also used for permanent installation in production areas, warehouses, garages, factories and stables. It is easy to change from portable to permanent by using a wall bracket instead of the hand rail. The wall bracket must be ordered separately.

Technical Data

The fan heater is supplied with a 0 - 40°C thermostat which ensures an optimum service and minimises the electrical consumption. A thermocut is also installed for safety against superheating. All types can be supplied with a 24 hour timer function. The fan heater is designed with an inner round shell which ensures that the entire air flow passes over the heating elements. In this way problems with cold areas and stalling airflow are avoided.

The fan heater is supplied in 3 x 400V + PE, but very often applications require different voltages, therefore all types are available from 110V - 690V.

Degree of protection: IPx4.

Coating

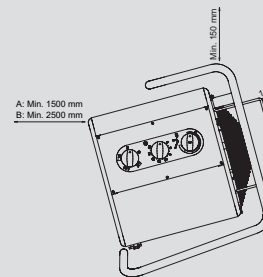
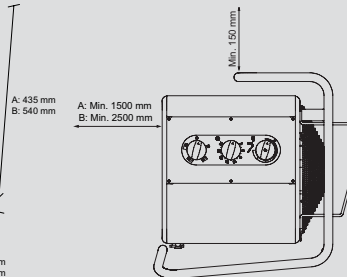
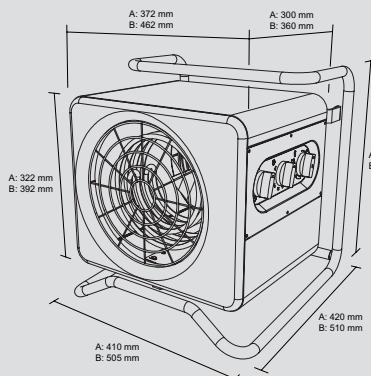
The fan heater is made of electrogalvanized steel plates coated with a 20 my coating in RAL 7004 (light grey). When ordering large quantities the fan heaters can be supplied in other colours.

Permanent Installation

The hand rail is removed, and by using the wall bracket the fan heater can be mounted vertically or in a 15° angle.

Electrical Installation

Permanent installation must be carried out by an authorised electrician in compliance with current regulations.



Step Control

- Off
- Fan on
- 1/2 fan
- 1/2 heat
- 1/1 fan
- 1/2 heat
- 1/1 fan
- 1/1 heat

Descrip- tion	Width mm	Height mm	Depth mm	Voltage	kW	m ³ /h 	TT 	dB(A)
3000	410	435	420	230	3	340/450	14/19°C	32-35
3000 T	410	435	420	230	3	340/450	14/19°C	32-35
3000	410	435	420	3 x 400	3	340/450	14/19°C	32-35
(A) 3000 T	410	435	420	3 x 400	3	340/450	14/19°C	32-35
6000	410	435	420	3 x 400	6	400/650	21/28°C	33-42
6000 T	410	435	420	3 x 400	6	400/650	21/28°C	33-42
9000	410	435	420	3 x 400	9	500/800	25/32°C	36-45
9000 T	410	435	420	3 x 400	9	500/800	25/32°C	36-45
15000	505	540	510	3 x 400	15	800/1400	26-30°C	42-52
15000 T	505	540	510	3 x 400	15	800/1400	26-30°C	42-52
(B) 21000	505	540	510	3 x 400	21	80/1400	36.5/42°C	42-52
21000 T	505	540	510	3 x 400	21	800/1400	36.5/42°C	42-52
Wall bracket A								
Wall bracket B								