



### SAN Immersion Heaters

#### Application:

SAN immersion heaters – essentially used for heating and maintenance of oil and lubricating systems f.ex. in gear boxes and hydraulic vessels.

Using our types of immersion heaters provides high advantage, as the element can be replaced rapidly and almost without any use of tools, and also the oil does not need to be drained.




#### Option:

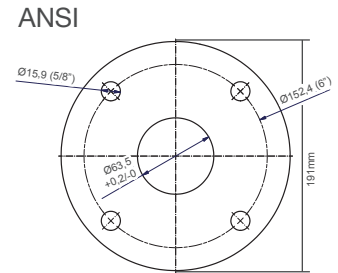
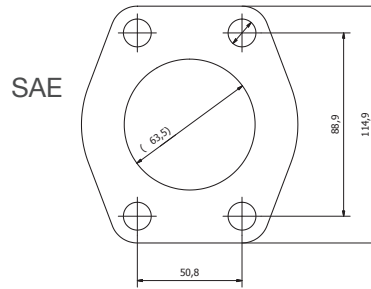
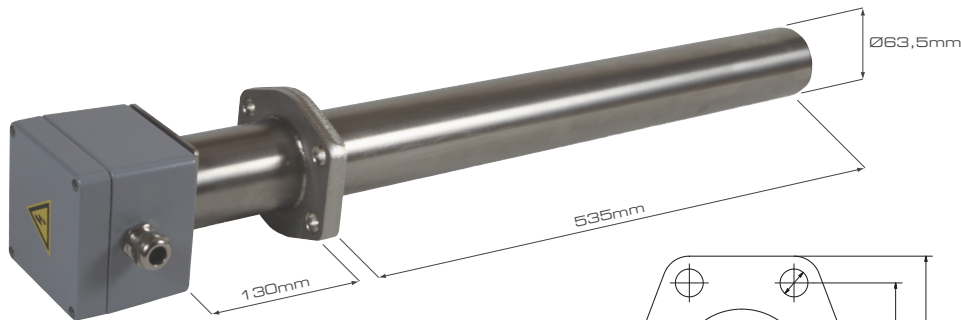
All our immersion heaters can be delivered in required: voltage, power and length and with flange or thread.

All the heaters are designed to comply with requirements and specifications for products used on wind turbines.

The SAN immersion heaters can be delivered in materials according to request.

#### Technical data:

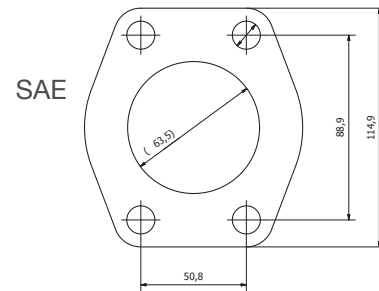
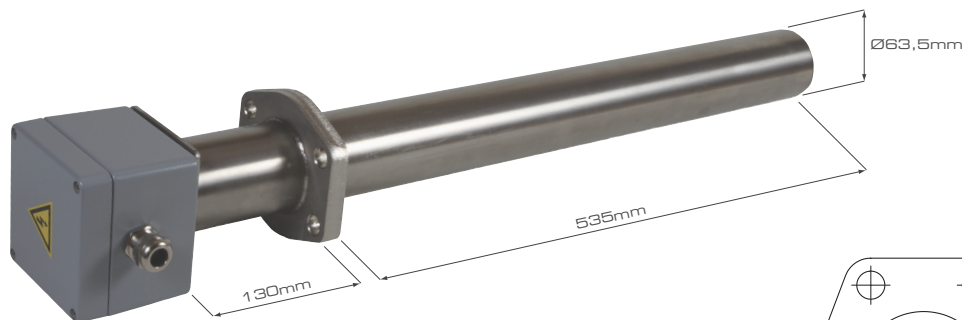
	Type I	Type I.I	Type I.2
Wattage	970W	970W	1000W
Voltage	3x690V	3x480V	230V
Connection	SAE flange	SAE flange	SAE flange
Terminal box	Alu, epoxy painted	Alu, epoxy painted	Alu, epoxy painted
Material	AISI 304	AISI 304	AISI 304
Heating element	Ceramic type, replaceable	Ceramic type, replaceable	Ceramic type, replaceable
Protection class/Enclosure	IP 65 (Nema 12)	IP 65 (Nema 12)	IP 65 (Nema 12)
Pipe dimension	Ø63,5mm	Ø63,5mm	Ø63,5mm
Immersion length	535mm	535mm	535mm
Active length	535mm	535mm	535mm
Inactive length	130mm	130mm	130mm
Mounting position	Horizontal	Horizontal	Horizontal
Surface loading	0.90W/cm <sup>2</sup>	0.90W/cm <sup>2</sup>	0.93W/cm <sup>2</sup>
Approval	File no.  E318987	File no.  E318987	File no.  E318987
Part no.	219108001	221119001	222022001



### SAN Immersion Heaters

#### Technical data:

	Type I.3	Type I.4	Type I.5
Wattage	970W	850W	750W
Voltage	400V	3x690V	3x575V
Connection	SAE flange	SAE flange	3" ANSI 150 lbs
Terminal box	Alu, epoxy painted	Alu, epoxy painted	Alu, epoxy painted
Material	AISI 304	AISI 304	AISI 304
Heating element	Ceramic type, replaceable	Ceramic type, replaceable	Ceramic type, replaceable
Protection class/Enclosure	IP 65 (Nema 12)	IP 65 (Nema 12)	IP 65 (Nema 12)
Pipe dimension	Ø63,5mm	Ø63,5mm	Ø63,5mm
Immersion length	535mm	535mm	535mm
Active length	535mm	535mm	535mm
Inactive length	130mm	130mm	130mm
Mounting position	Horizontal	Horizontal	Horizontal
Surface loading	0.90W/cm <sup>2</sup>	0.8W/cm <sup>2</sup>	0.7W/cm <sup>2</sup>
Approval	File no. E318987	File no. E318987	File no. E318987
Part no.	222021001	219108002	225041001



### SAN Immersion Heaters

#### Technical data:

	Type I.6	Type 1.7	Type 1.8
Wattage	500W	680W	1500W
Voltage	400V	400V	3x400V
Connection	SAE flange	SAE flange	SAE flange
Terminal box	Alu, epoxy painted	Alu, epoxy painted	Alu, epoxy painted
Material	AISI 304	AISI 304	AISI 304
Heating element	Ceramic type, replaceable	Ceramic type, replaceable	Ceramic type, replaceable
Protection class/Enclosure	IP 65 (Nema 12)	IP 65 (Nema 12)	IP 65 (Nema 12)
Pipe dimension	Ø63,5mm	Ø63,5mm	Ø63,5mm
Immersion length	255mm	345mm	950mm
Active length	255mm	345mm	950mm
Inactive length	130mm	130mm	130mm
Mounting position	Horizontal	Horizontal	Horizontal
Surface loading	1.04W/cm <sup>2</sup>	0.94W/cm <sup>2</sup>	0.78W/cm <sup>2</sup>
Approval	File no. cRU <sup>®</sup> US E318987	File no. cRU <sup>®</sup> US E318987	File no. cRU <sup>®</sup> US E318987
Part no.	228423002	228423003	237934002